

# UNIVERSAL/MULTIFLEX

*INTERNATIONAL*

## Factory Parts Catalog

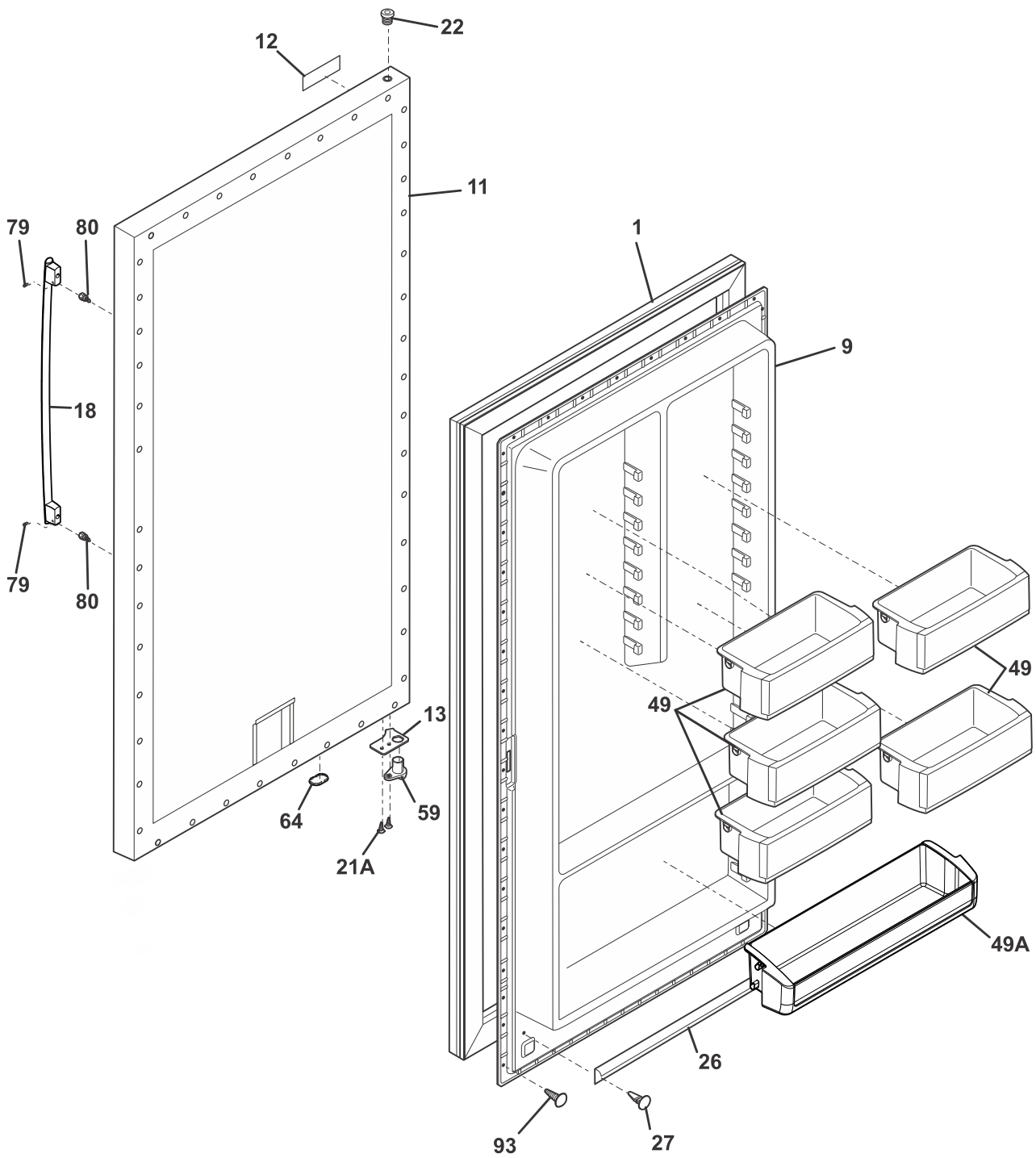
|                       |               |
|-----------------------|---------------|
| <b>Product No.</b>    | MUFD19V9QSC   |
| <b>Series</b>         | 134A          |
| <b>Color</b>          | grey          |
| <b>Volts</b>          | 230V          |
| <b>Wiring Diagram</b> | 297392801     |
| <b>Owner's Guide</b>  | 297409200     |
| <b>Market</b>         | International |

### UPRIGHT FREEZER

Model No.  
MUFD19V9QS

Publication No.  
**5995675120**  
16/05/03  
(EN/SERVICE/)  
365

DOOR



P08D0717

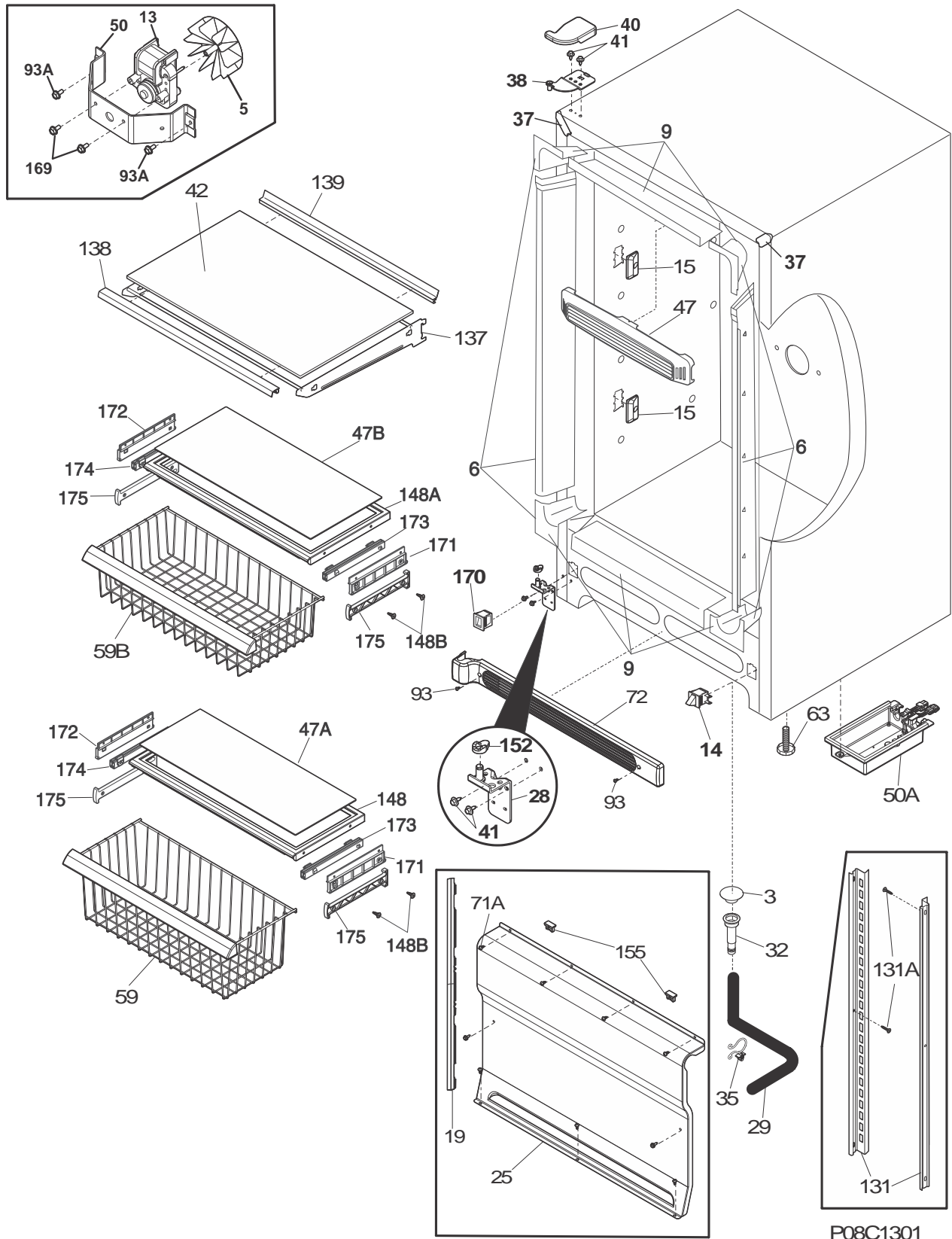
---

**DOOR**


---

| POS. NO | PART NO.   | DESCRIPTION                                |
|---------|------------|--|
| 1       | 5304505782 | Gasket                                     |
| 9       | 297280800  | Panel-inner door, frzr                     |
| 11      | 297353509  | Panel-outer door, stainless                |
| 12      | 137095501  | Anchor, nameplate                          |
| 13      | 297302801  | Door Stop, LH                              |
| 18      | 297330300  | Handle Assembly, stainless, w/endcaps      |
| 18*     | 241701901  | Screw Driver                               |
| 18*     | 297175300  | Wrench, allen                              |
| 21A     | 297197500  | Screw, door stop mtg, FH38-16X.750, P Twin |
| 22      | 216970801  | Bearing, hinge, gray, top                  |
| 26      | 216524201  | Gasket, secondary                          |
| 27      | 5303212828 | Clip, panel mtg                            |
| 27*     | 5304406520 | Clip, panel mtg kit, (40)                  |
| 49      | 297295300  | Bin-door, 2-liter                          |
| 49A     | 297295400  | Bin-door, gallon, (2)                      |
| 59      | 297302900  | Bearing, door stop                         |
| 64      | 216403701  | Plug-button, hole filler, door base        |
| 79      | 218755401  | Screw-set, 10-32 x 0.375                   |
| 80      | 218755504  | Screw, shoulder, #10-AB, handle mounting   |
| 93      | 5304460605 | Screw, ph truss head, 8-18AB x 0.500       |
| *       | 297355300  | Label, quick start                         |
| *       | 216858001  | Screw, 8-18x.50 AB, #10                    |
| *       | 216905301  | Screw, PH 3-24X.25, electronic assy        |
| *       | 297048000  | Screw, anchor, #8, white                   |
| *       | 297410600  | Screw, 8-18 X .500                         |

CABINET

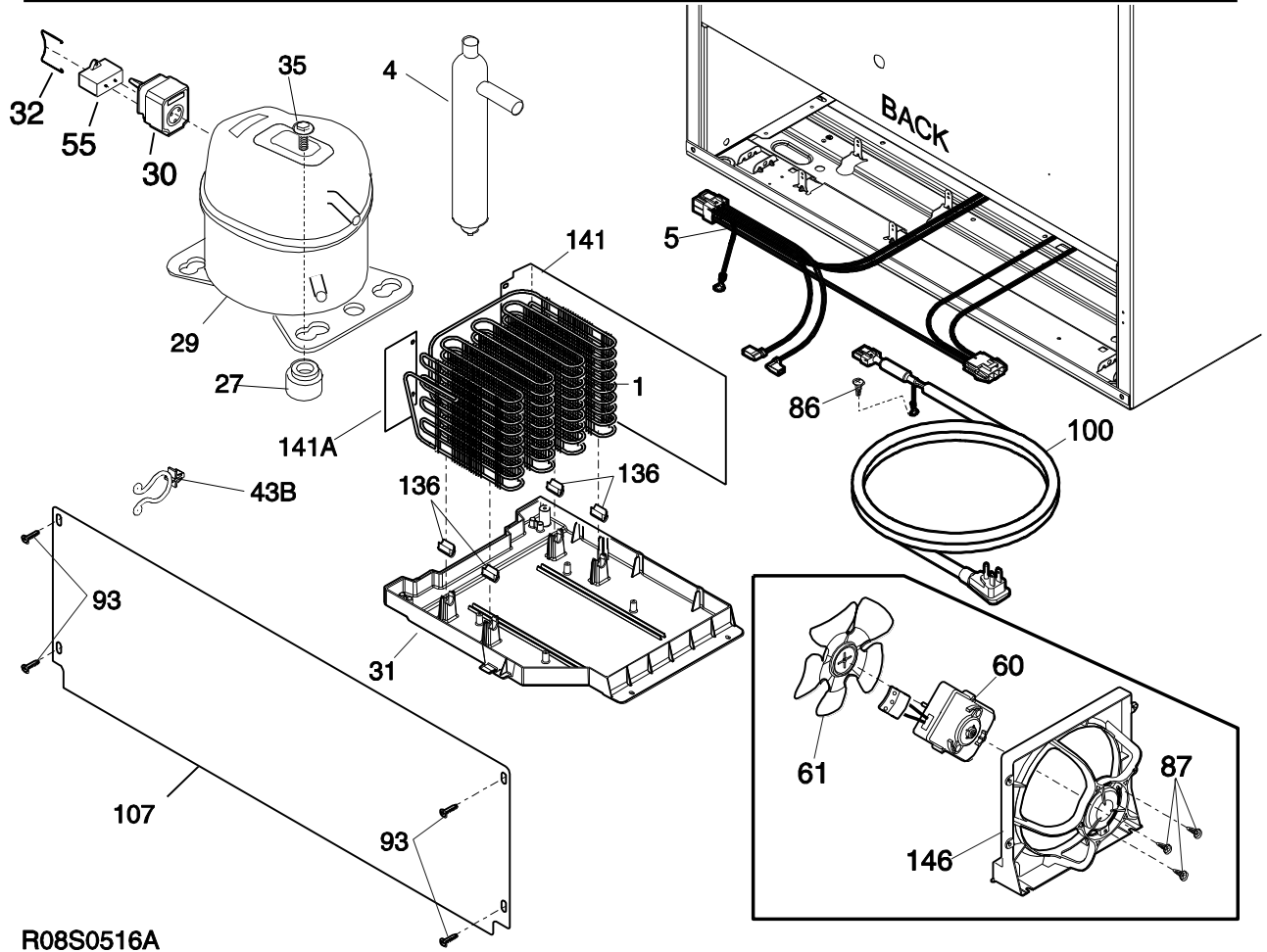
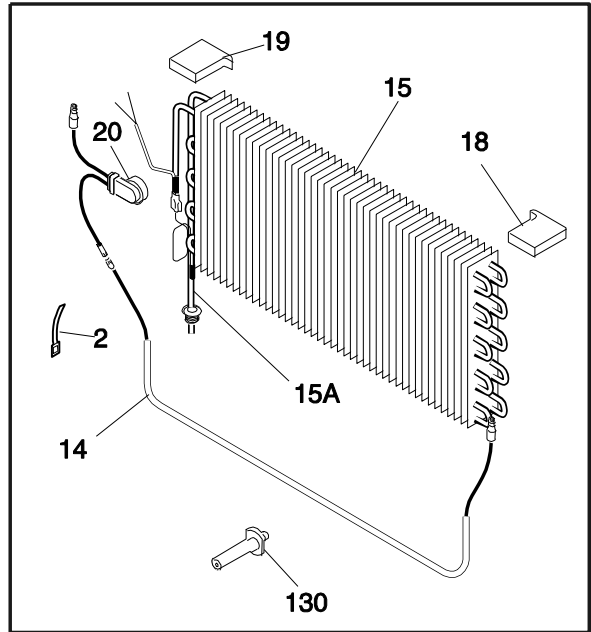
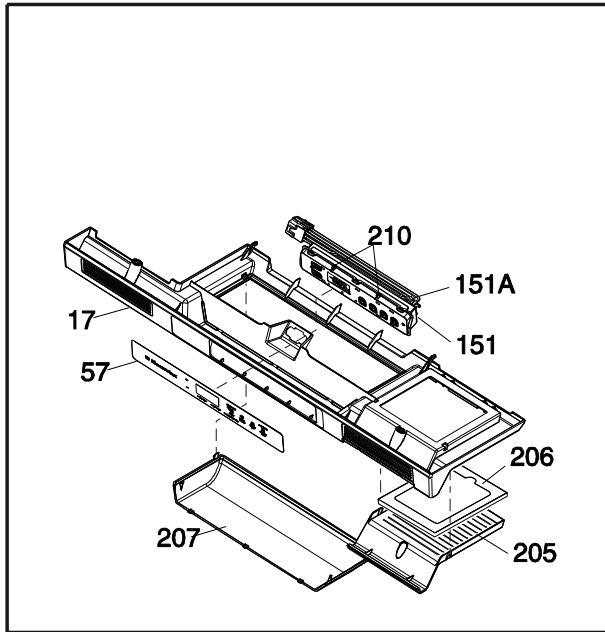


## CABINET

---

| POS. NO | PART NO.   | DESCRIPTION  |
|---------|------------|--|
| 3       | 216503100  | Screen-drain   |
| 5       | 297437300  | Fan Blade  |
| 6       | 297200900  | Breaker Kit w/corners                                      |
| 9       | 297200100  | Breaker Kit w/corners, 32", top and bottom                 |
| 13 #    | 297250010  | Motor-fan, 230V  |
| 14      | 216822901  | Switch, light/lamp, ramp                                   |
| 15 #    | 241891105  | Light-LED  |
| 19      | 216204902  | Gasket-evap cover  |
| 25      | 297099255  | Cover-evaporator   |
| 28      | 297302513  | Hinge-lower, LH w/bearing                                  |
| 29      | 216313501  | Hose-drain   |
| 32      | 5308005500 | Drain  |
| 35      | 216273000  | Clip, wire retainer  |
| 37      | 297273906  | Trim-cabinet corner, gray                                  |
| 38      | 297303901  | Hinge-upper, LH  |
| 40      | 297304001  | Cover-hinge, gray, LH                                      |
| 41      | 297236250  | Screw, hex head, 1/4-20x5/8, hinge                         |
| 42      | 297265900  | Glass-shelf  |
| 47      | 297192903  | Baffle, air  |
| 47A     | 297102705  | Glass, crisper cover                                       |
| 47B     | 297102704  | Glass, crisper cover                                       |
| 50      | 216394050  | Bracket, fan motor mount                                   |
| 50A#    | 241891608  | Board-LED power  |
| 59      | 297270000  | Basket, assy bottom  |
| 59B     | 297269800  | Basket, Mid Level  |
| 63      | 216396900  | Screw, leveling foot, plastic, adjustable                  |
| 63*     | 297164650  | Bracket, LH leg levelor                                    |
| 63*     | 297164651  | Bracket, RH leg levelor                                    |
| 71A     | 297146820  | Screw, 8-18AB x.470 QX                                     |
| 72      | 297036904  | Grille/Kickplate, 32", gray                                |
| 93      | 297410600  | Screw, 8-18 X .500   |
| 93A     | 297174300  | Screw, self pierce, #8, 18x.63                             |
| 131     | 297130200  | Channel-shelf mtg, side, (2)                               |
| 131A    | 297146821  | Screw, th, 8-18x.470 AB QX, white, (6)                     |
| 137     | 297050600  | Frame-shelf, cantilever, (2)                               |
| 138     | 297261400  | Trim-shelf, front  |
| 139     | 297261500  | Trim-shelf, rear   |
| 148     | 297271703  | Frame, crisper-cover, btm                                  |
| 148A    | 297271704  | Frame, crisper, mid-level                                  |
| *       | 297305500  | Clip, crisper  |
| 148B    | 297142600  | Screw, blunt, 8-32 x 5/8                                   |
| 152     | 297302700  | Bearing-hinge  |
| 155     | 5303313703 | Clip, wire   |
| 169     | 216912401  | Screw, hex washer head, 8-32 x 0.500, bracket fan mtr, (2) |
| 170     | 297280403  | Valve, breather  |
| 171     | 297092700  | Bracket, crisper cover, RH                                 |
| 172     | 297092701  | Bracket, crisper cover, LH                                 |
| 173     | 297291200  | Slide-basket, RH, w/clips                                  |
| 174     | 297291201  | Slide-basket, LH, w/clips                                  |
| 175     | 297099500  | Support, crisper   |
| *       | 297001704  | Insulation, 24", drain tube                                |
| *       | 216036601  | Screw, RWHD, 8-32A x 0.500, GX-CA                          |
| *       | 216337701  | Screw, HWH, 10-24 x 0.500, Swage                           |
| *       | 216858001  | Screw, 8-18x.50 AB, #10                                    |

SYSTEM



## SYSTEM

---

| POS. NO | PART NO.   | DESCRIPTION                                |
|---------|------------|--|
| 1 #     | 5300083897 | Condenser                                  |
| 2       | 5308000110 | Strap-evap/heater, aluminum, (2)           |
| 4 #     | 297396820  | Filter-dryer                               |
| 5 #     | 297325500  | Harness-main                               |
| 14 #    | 216730701  | Heater-defrost                             |
| 15 #    | 297414900  | Evaporator                                 |
| 15A     | 297217900  | Heat Exchanger, suct/cap tube              |
| 17      | 297269000  | Box-control                                |
| 18      | 297078701  | Insulator-evap, styrofoam, RH              |
| 19      | 297078801  | Insulator-evap, styrofoam, LH              |
| 20      | 297216600  | Thermostat, defrost                        |
| 27      | 5308002681 | Grommet, compressor                        |
| 29      | 297002801  | Compressor, kit, w/grommets, & welded clip |
| 30 #    | 297259526  | Controller, compressor                     |
| 31      | 297165800  | Pan-drain                                  |
| 32      | 297359700  | Clip, controller                           |
| 35      | 297368500  | Bolt, compressor                           |
| 43B     | 297315800  | Clip, wire                                 |
| 55      | 216985004  | Capacitor, run, 5MF                        |
| 57      | 297269404  | Overlay                                    |
| 60 #    | 297279550  | Motor-condenser fan                        |
| 61      | 241639501  | Blade-condenser fan                        |
| 86      | 216036601  | Screw, RWHD, 8-32A x 0.500, GX-CA          |
| 87      | 5304463290 | Screw, hi-lo blunt, #8-18X1/2              |
| 93      | 216858001  | Screw, 8-18x.50 AB, #10                    |
| 100#    | 297075901  | Cord-power, 220V                           |
| 107     | 297194802  | Panel, access                              |
| 130     | 297244700  | Support, evaporator mtg                    |
| 136     | 240405201  | Grommet, rubber, black, cond tube/wire     |
| 141     | 297164200  | Divider, air flow                          |
| 141A    | 297194700  | Divider, small, air flow                   |
| 146     | 297164000  | Shroud-fan orifice                         |
| 146*    | 216337701  | Screw, HWH, 10-24 x 0.500, Swage           |
| 151#    | 297326507  | Electronic Control, assembly               |
| 151A    | 5304495183 | Harness-jumper                             |
| 205     | 297294301  | Holder, air filter                         |
| 206     | 242047801  | Filter, air                                |
| 207     | 297294501  | Shield-light, white                        |
| 210     | 216905301  | Screw, PH 3-24X.25, electronic assy        |
| *       | 297110400  | Thermistor                                 |
| *       | 216502500  | Sleeve, suction line                       |
| *       | 240555002  | Screw-#8-32 X 3/8                          |
| *       | 297174300  | Screw, self pierce, #8, 18x.63             |